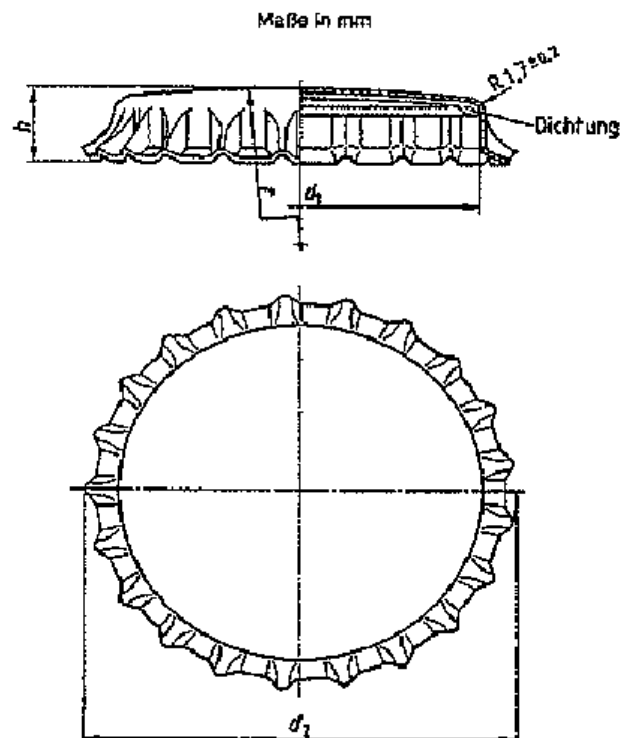




Crown caps 26 mm

Size:	inner diameter 26,75 mm according to DIN 6099
Material:	made of tinfree steel (chromium coated) according EN 10202
Liner:	Svelon 855 - plastic
Sterilizable:	No

	thickness	Tolerance
Profile:	0,22 923	± 2,0 %





This specification is valid for the following items:

012.200.2	Crown caps 26 mm gold 100 pieces
012.201.0	Crown caps 26 mm gold 1.000 pieces
012.202.8	Crown caps 26 mm gold 10.000 pieces
012.246.5	Crown caps 26 mm black 100 pieces
012.247.3	Crown caps 26 mm black 1.000 pieces
012.248.1	Crown caps 26 mm orange 100 pieces
012.249.9	Crown caps 26 mm orange 1.000 pieces
012.250.7	Crown caps 26 mm red 100 pieces
012.251.5	Crown caps 26 mm red 1.000 pieces
012.252.3	Crown caps 26 mm blue 100 pieces
012.253.1	Crown caps 26 mm blue 1.000 pieces
012.254.9	Crown caps 26 mm green 100 pieces
012.255.6	Crown caps 26 mm green 1.000 pieces
012.256.4	Crown caps 26 mm silver 100 pieces
012.257.2	Crown caps 26 mm silver 1.000 pieces
012.258.0	Crown caps 26 mm white 100 pieces
012.259.8	Crown caps 26 mm white 1.000 pieces
012.260.6	Crown caps 26 mm red 10.000 pieces
012.261.4	Crown caps 26 mm blue 10.000 pieces
012.262.2	Crown caps 26 mm green 10.000 pieces
012.263.0	Crown caps 26 mm silver 10.000 pieces
012.264.8	Crown caps 26 mm white 10.000 pieces
012.265.5	Crown caps 26 mm orange 10.000 pieces
012.266.3	Crown caps 26 mm black 10.000 pieces