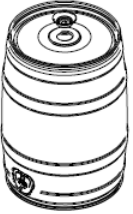
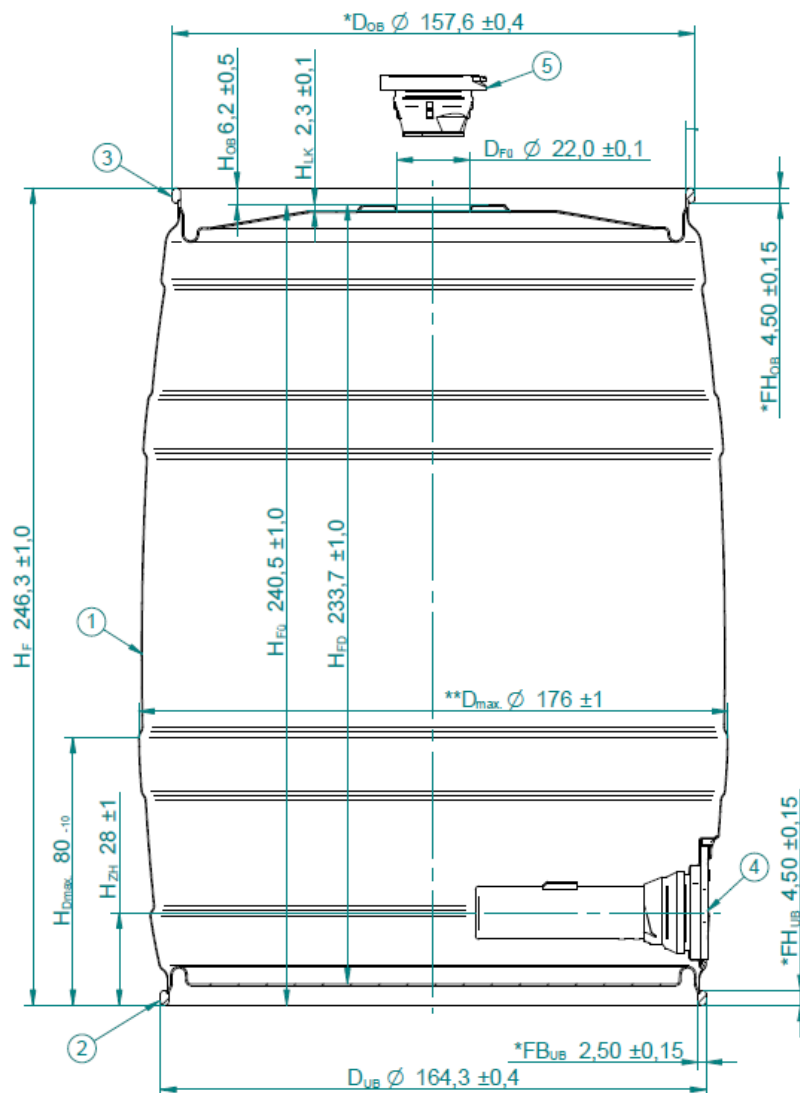




058.024.0 Mini keg 5 l grey + rubber plug

Mini keg 5 l grey + rubber plug

| | | |
|---|---|--|
|  | <p>Description</p> <ol style="list-style-type: none"> 1: body 2: bottom end 3: top end 4: tap (not available for this product) 5: closure | <p>Technical specifications</p> <p>nominal capacity: 5000 ml brimful capacity: 5090 - 5160 ml empty weight incl. dust cap/ excl. closure: 530 +/-15 g internal pressure resistance: min. 4,0 bar burst pressure: min. 6,0 bar axial load resistance (static), when empty: min. 3000 N porosity test \leq 40 mA</p> |
|---|---|--|



Brouwland

Korspelsesteenweg 86 • B-3581 Beverlo - Belgium

Tel. +32 11 40 14 08 • Fax. +32 11 89 03 09

info@brouwland.com • www.brouwland.com



058.024.0 Mini keg 5 l grey + rubber plug

Materials

| Top end (3) | Body (1) | Bottom end (2) |
|--|---|--|
| Chromium-coated steel (ECCS) According to DIN EN 10202 Sheet thickness: 0.49 mm | Tin-plated steel According to DIN EN 10202 Welded side seam Sheet thickness: 0.26 mm Tin plating: D 1.0/1.4 g/m ² | Chromium-coated steel (ECCS) According to DIN EN 10202 Sheet thickness: 0.49 mm |
| Seam compound Mixture of natural latex and polymer dispersion | | Seam compound Mixture of natural latex and polymer dispersion |

Compliance with food legislation

Based on the expert opinions and test reports of the Institut Nehrung regarding the legal compliance of food contact materials and articles used as components of this mini keg which under conditions of this application will come into direct contact with foodstuffs we conclude that under conditions of intentional use Mini kegs 5L are in compliance with requirements according to

Art. 3 of Regulation (EC) No 1935/2004 as well as §§ 30 and 31 (1) of the German Law Book on Foodstuffs and Feed (Lebensmittel- und Futtermittelgesetzbuch (LFGB)) and where applicable with German Regulation of Commodities (Bedarfsgegenständeverordnung) or Regulation (EU) No 10/2011 in its valid versions.

Mini keg 5L also complies with the requirements of the US FDA Regulations, in particular with 21 CFR 175.300, 21 CFR 177.1520, 21 CFR 177.1810, 21 CFR 177.2470 and 21 CFR 178.3620.

Version 2 – 06/07/2017

Brouwland

Korpelsesteenweg 86 • B-3581 Beverlo - Belgium
Tel. +32 11 40 14 08 • Fax. +32 11 89 03 09
info@brouwland.com • www.brouwland.com