



Rotselaar, 08.08.2022

DECLARATION OF CONFORMITY ROPP CAPS

Articles delivered to **Brouwland** and covered by this statement:

181812401 PP 18x12,4 Goud EPE
182815502 MCA 28x15 Zilver 5 Splits Plastisol

Eurocap N.V. confirms that our products are produced per HACCP methodology and corresponding to the international standards for quality management and quality security. We guarantee that the Quality System followed to produce our products is subject to the requirements of these standards. Our closures can be used on water, juice, wine, vinegar and distillates and are in line with all relevant European legislation:

- EC 1935/2004
- EC 2023/2006
- EU 10/2011 and subsequent amendments
- EC 450/2009
- EC 1895/2005
- EC 282/2008

Product description and composition: see attached technical data sheets
Storage conditions: till 12 months cool and dry storage are recommended

Migration results are available on request and after signing of a non disclosure agreement.

Eurocap N.V. is not responsible for inexpert use or storage.

QC Manager,

A handwritten signature in blue ink over a blue stamp. The stamp contains the following text: 'EUROCAP N.V.', 'WINGEPARK 49', 'B-3110 ROTSELAAR', 'Tel.: 016 44 20 20', and 'Fax: 016 44 20 26'.

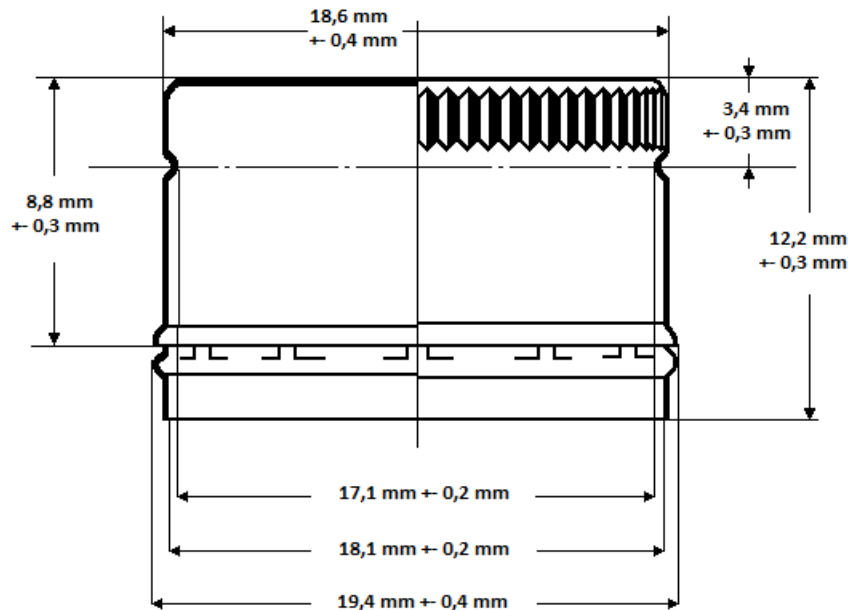
B. Geeraert



Product Specification - Pilferproof PP 18 Std.

Aluminum-screw-cap with security ring for non-returnable bottles

Dimensions:



Material:	deep draw able special aluminum DIN 541/EN 573-3 Description: EN AW-8011A AlFeSi(A), thickness 0,21 mm, deep-stretchness: 110 – 150 N/mm ²
Liner material:	sealing material „ALKOzell/EPE“ (foamed up LDPE), additional available with different surface materials
Inside:	polyester adhesive lacquer BPANI PVC-free, gold easily
Outside:	neutral colored painted or printed, according to print template
Locking:	Head pressure: 600 – 900 N Side pressure: 70 – 100 N Thread rolling radius: 0,4 – 0,6 mm

The dimensions given are binding. All other data correspond to our experience and advice. No guarantee can be given only for the uniformity of the closure, but not for the particular application, as the processing and other circumstances beyond our control. With the advent of a new edition supersedes all previous editions becomes invalid.

Edition: Januari 2021



Bottle estuary:	about DIN 6094-7
Example of use:	- spirits - pharmaceutical products - technical products - cold filling
Pressure holding:	the closures are for internal pressures <1 bar
Opening values:	2 – 6 lbs/inch
Shelf life:	till 12 Month, cool, dry storage is recommended
Weight:	0,7 KG/1.000 pcs
Package:	- carton á 14.000 pcs - 20 cartons per pallet

Food law compliance:

The materials used meet the specification in accordance with our suppliers to the following guidelines and recommendations. Therefore, the product is to be regarded as the food law and can be used in contact with food.

- Food and Feed Code (LFGB) §§ 30 u. 31 (1)
- EU-Regulation 10/2011, Directive 2002/72/EG, 2007/19/EG, EC-Regulation 1935/2004 sowie der EC-Regulation 2023/2006
- German "Bedarfsgegenständeverordnung" (BedGgst.V)

The dimensions given are binding. All other data correspond to our experience and advice. No guarantee can be given only for the uniformity of the closure, but not for the particular application, as the processing and other circumstances beyond our control. With the advent of an new edition supersedes all previous editions becomes invalid..

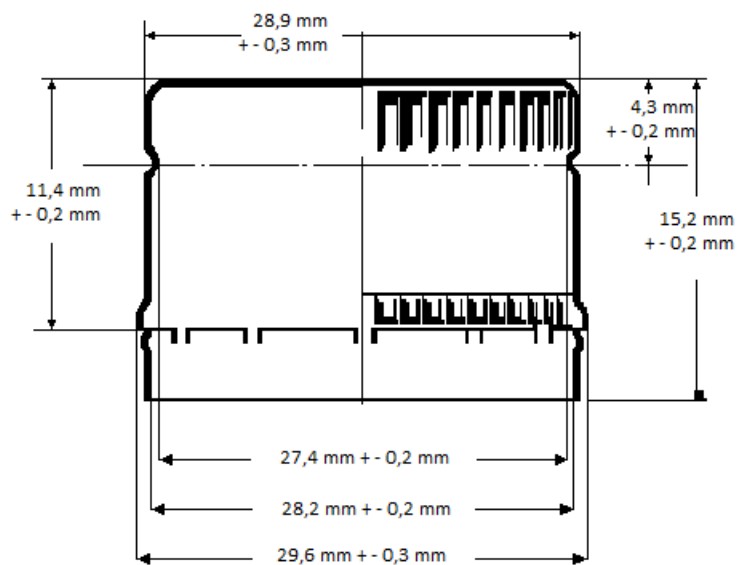
Edition: Januari 2021



Product Specification - MCA 28x15

Aluminum closure with locking ring for disposable bottles

Dimensions:



Material:	deep draw able special aluminum DIN 541 /EN 573-3, description: EN AW-3105A AlMn0,5Mg0,5, thickness 0,20 mm, deep-stretchness: 150 – 190 N/mm ²
Liner-material:	PVC-plastisol-seal
Inside:	polyster adhesive lacquer BPANI, gold easily
Outside:	neutral coloured painted or printed, according to print template

The dimensions given are binding. All other data correspond to our experience and advice. No guarantee can be given only for the uniformity of the closure, but not for the particular application, as the processing and other circumstances beyond our contro. With the advent of a new edition supersedes all previous editions becomes invalid.

Edition January 2020



Locking:	Head pressure: 1.900 – 2.300 N Side pressure thread roll: 80 – 120 N Side pressure flare-roll: 90 – 120 N deep drawing: 2,2 – 2,4 mm
Bottle estuary:	DIN 6094-12
Opening values:	6 – 13 lbs/inch
Storage:	till 12 Month, cool and dry storage is recommended
Weight:	ca. 1,5 KG/1.000 pcs
Package:	carton á 5.000 pcs, 20 cartons per pallet

Food law compliance:

The materials used meet the specification in accordance with our suppliers to the following guidelines and recommendations. Therefore, the product is to be regarded as the foodlaw and can be used in contact with food.

- Food and Feed Code (LFGB) §§ 30 u. 31 (1)
- EU-Regulation 10/2011, Directive 2002/72/EG, 2007/19/EG, EC-Regulation 1935/2004 and EC-Regulation 2023/2006
- German "Bedarfsgegenständeverordnung" (BedGgst.V)

Disclaimer: General information regarding useableness and features of our products depend on current knowledge and are an assurance of features. The usage of our product is on the buyer's own responsibility.

The usage of our product is beyond our bearing so the buyer has to ensure applicability of our products for the specific rang of application. Right of technical modification reserved. All supplies and deliveries are subject to our terms and conditions of sale and delivery.

The dimensions given are binding. All other data correspond to our experience and advice. No guarantee can be given only for the uniformity of the closure, but not for the particular application, as the processing and other circumstances beyond our contro. With the advent of a new edition supersedes all previous editions becomes invalid.

Edition January 2020