
BROUWLAND



HAND OPERATED FRUIT PRESS



INSTRUCTIONS – MAINTENANCE AND SPARE PARTS CATALOGUE

Brouwland bvba • Korpelsesteenweg 86 • B-3581 Beverlo - Belgium
Tel. +32-(0)11-40.14.08 • Fax. +32-(0)11-34.73.59
info@brouwland.com • www.brouwland.com
BTW : BE 0412.461.618 - RPR Hasselt

BROUWLAND



Pg.	CONTENTS
1	Index
2	Instructions and maintenance
3	Foreword
3	Warranty
3	Technical specifications
4	Instructions fig. 1-2
5	Instructions fig. 3-4
6	Storage after use
6	Ordering spare parts
7	Spare parts
8	Exploded drawing
9	Spare parts table model F15
10	Spare parts table model F20
11	Spare parts table model F25

BROUWLAND



FOREWORD

Thank you for having purchased our hand operated fruit press.

This booklet provides instructions on use and maintenance.

Brouwland BVBA reserves the right to alter, modify or change the fruit press at any time without notice.

This booklet is an integral part of the fruit press and as such must be kept until the press is scrapped.

WARRANTY

Any claims are to be presented in writing within 8 days from the date of delivery.

To be eligible for warranty cover, all warranty terms and conditions provided in the sales contract must be respected.

At the moment of delivery check and inspect the fruit press has not been damaged during transport.

TECHNICAL SPECIFICATIONS

PRESS CAGE SIZE = 250 x 370mm

WEIGHT = 30kg

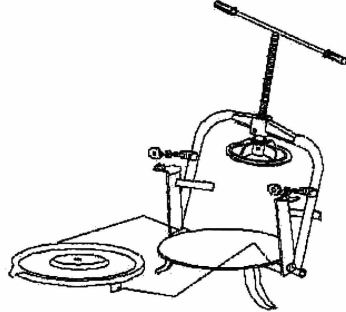
PRESS CAGE CAPACITY = 20 litres

BROUWLAND



INSTRUCTIONS

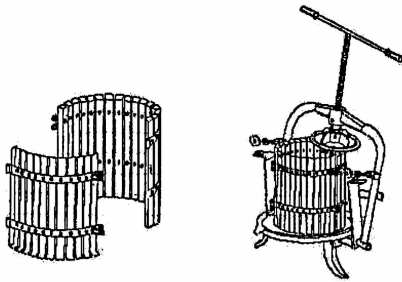
Fig.1



Mount the stainless

steel base plate by inserting it into the purpose slots.

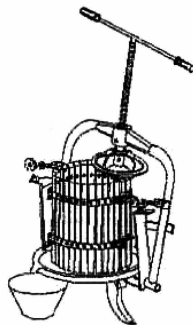
Fig. 2



Assemble and place with the

mount the two halves of the press cage and secure in four fixture pins.

Fig. 3



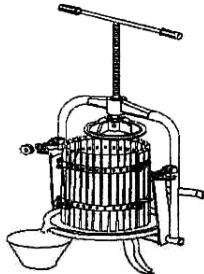
Position a food grade container under the plate gully and pour the crushed fruit into the cage.

grade container under the plate gully and pour the crushed fruit

BROUWLAND



Fig. 4



Position the bracket upright and tighten the 2 knobs to secure in place. Turn the pressing "T" shaped bar clockwise until the fruit has been pressed.

STORAGE

At the end of the season or for long out of service periods we recommend you:

- 1) Wash the press thoroughly. **IMPORTANT:** All wooden parts must be dried thoroughly before storage.
- 2) Inspect all parts and if necessary replace any damaged or worn parts.
- 3) Tighten all nuts, screws and bolts.
- 4) Grease the press and then cover with a sheet (not plastic) to protect and store in a dry place.

IMPORTANT

RESPECT THE ABOVE PROCEDURE TO ENSURE THE FRUIT PRESS IS IN PERFECT CONDITION AND READY FOR USE WHEN REQUIRED AFTER STORAGE.

BROUWLAND



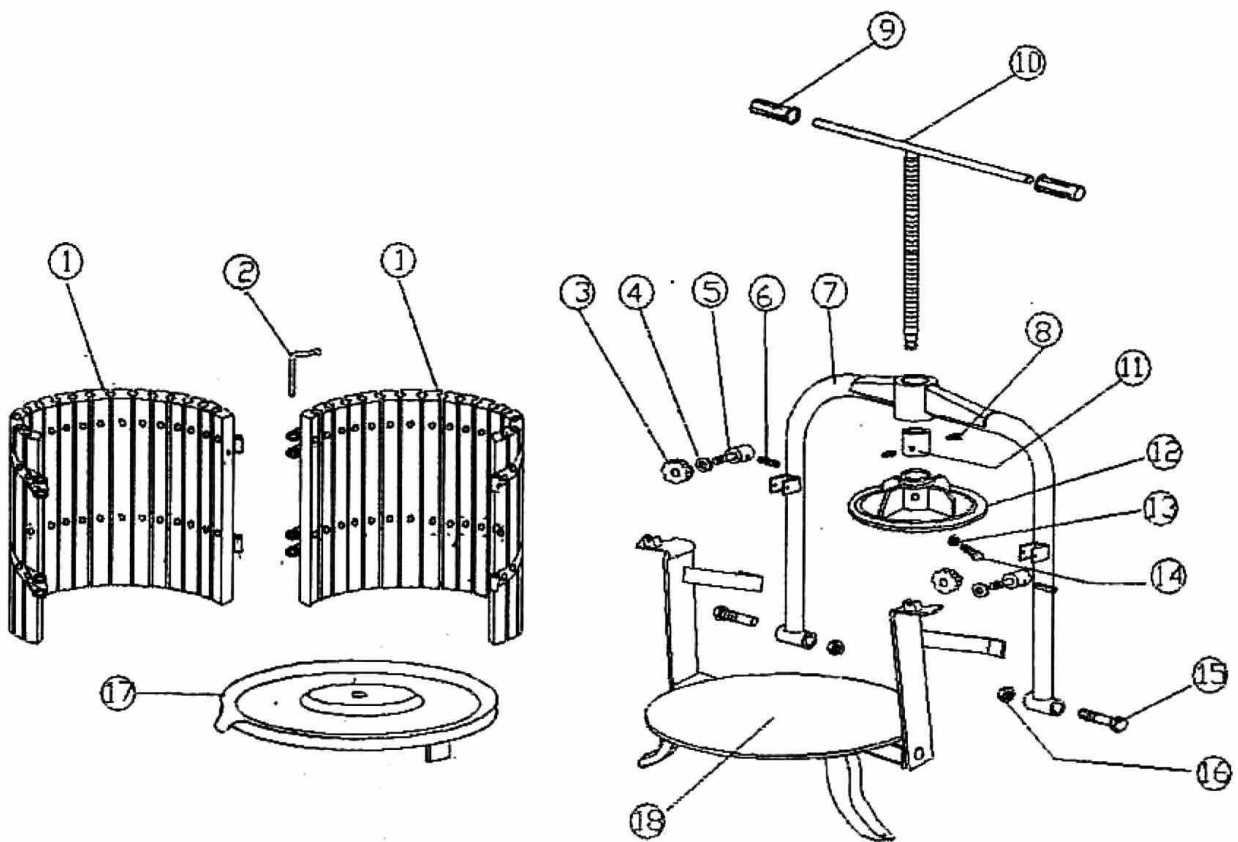
SPARE PARTS

All spare parts are to be ordered through your local dealer / retailer.

When ordering spare parts provide the following information:

- 1) Fruit press model
- 2) Part code number
- 3) Part description and quantity
- 4) Carriage (to be agreed upon with the customer)

Carriage charges are at Customer's expense.



BROUWLAND



<u>REF.</u>	<u>CODE N.</u>	<u>QTY.</u>	<u>DESCRIPTION</u>
1	F25.001	1	PRESS CAGE
2	F25.002	4	PRESS CAGE CLOSURE CLASPS
3	F25.003	2	BRACKET FIXTURE KNOB
4	F25.004	2	WASHER
5	F25.005	2	SCREW BRACKET CLOSURE
6	F25.006	2	THREADED FIXTURE PIN
7	F25.007	1	BRACKET
8	F25.008	2	THREADED FIXTURE DOWEL FOR BUSHING
9	F25.009	2	GRIP HANDLES
10	F25.010	1	"T" SHAPED PRESSING BAR
11	F25.011	1	THREADED CAST IRON BUSHING
12	F25.012	1	PRESSURE PLATE
13	F25.013	2	BRACKET FIXTURE BOLTS
14	F25.014	2	NUTS FOR BOLTS
15	F25.015	1	STAINLESS STEEL BASE PLATE
16	F25.016	1	SUPPORT FRAME WITH LEGS FOR BASE PLATE

Brouwland bvba • Korpelsesteenweg 86 • B-3581 Beverlo - Belgium

Tel. +32-(0)11-40.14.08 • Fax. +32-(0)11-34.73.59

info@brouwland.com • www.brouwland.com

BTW : BE 0412.461.618 - RPR Hasselt